

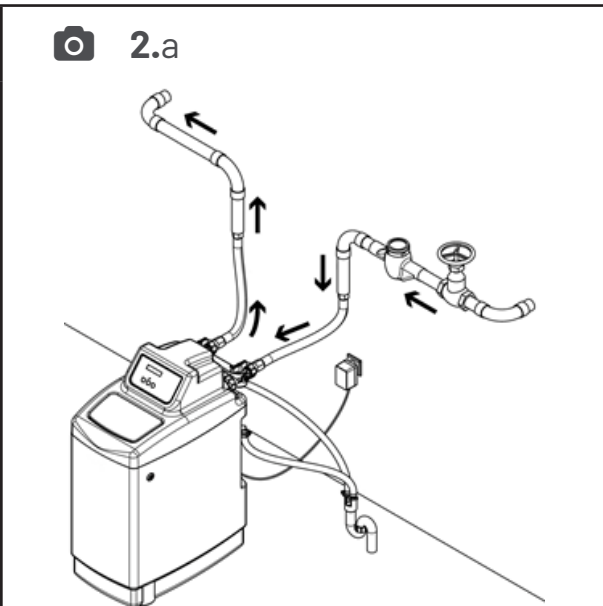
📷 1.a



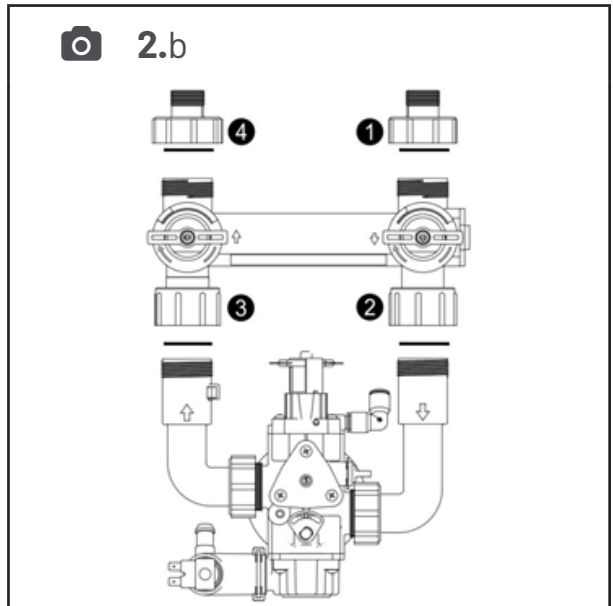
📷 1.b



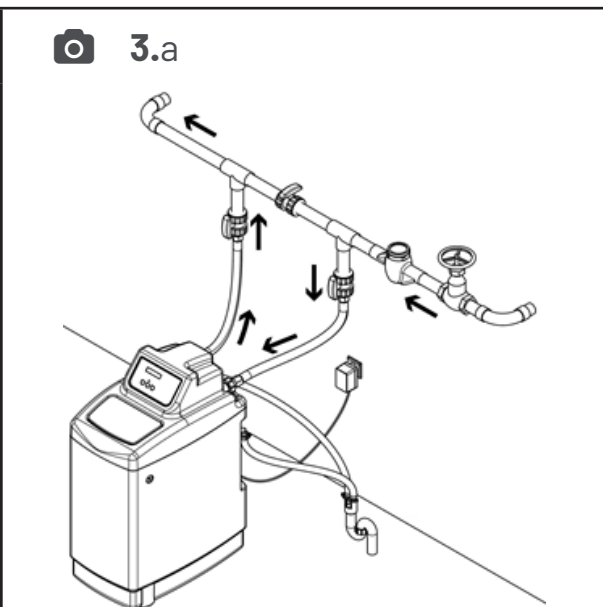
📷 2.a



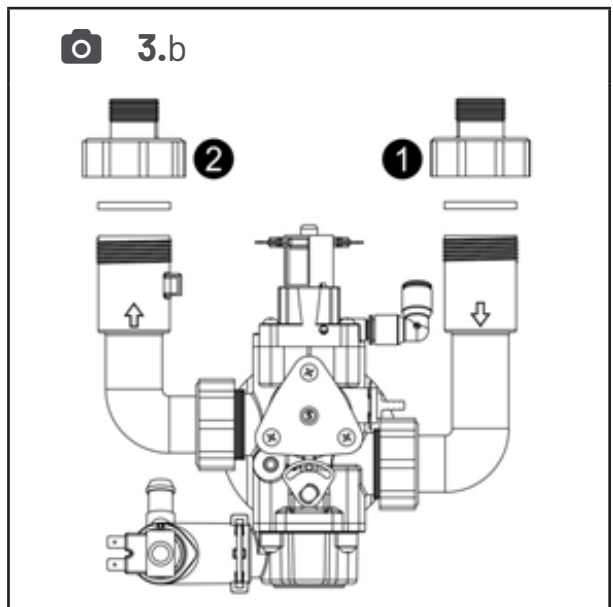
📷 2.b



📷 3.a



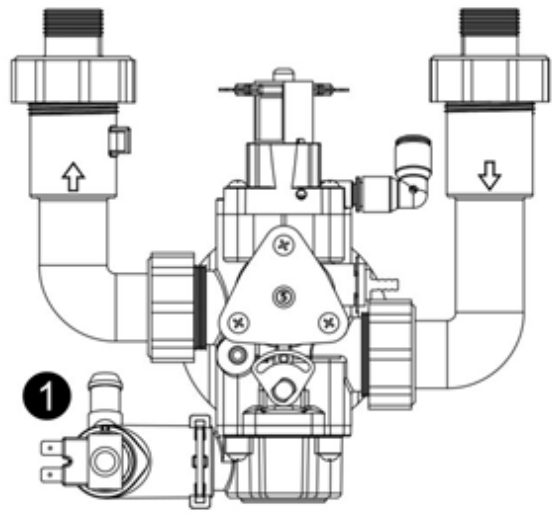
📷 3.b



 4.a



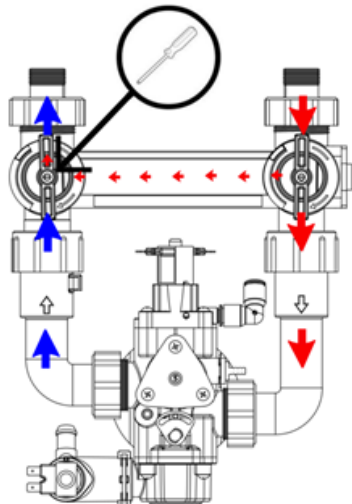
 4.b



 5.a



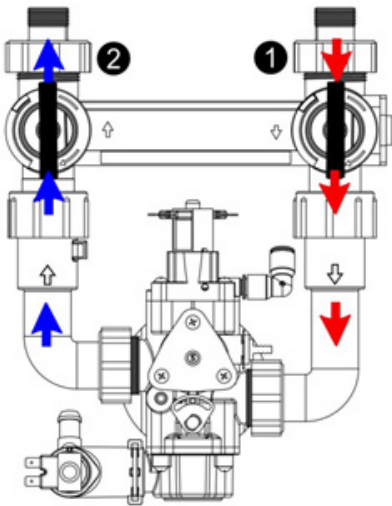
 6.a



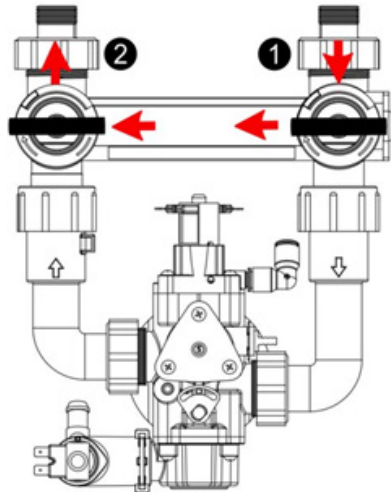
 7.a



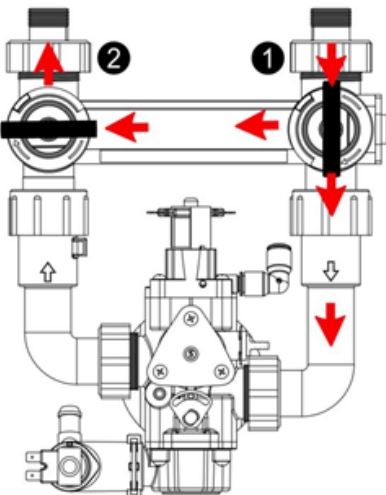
 8.a

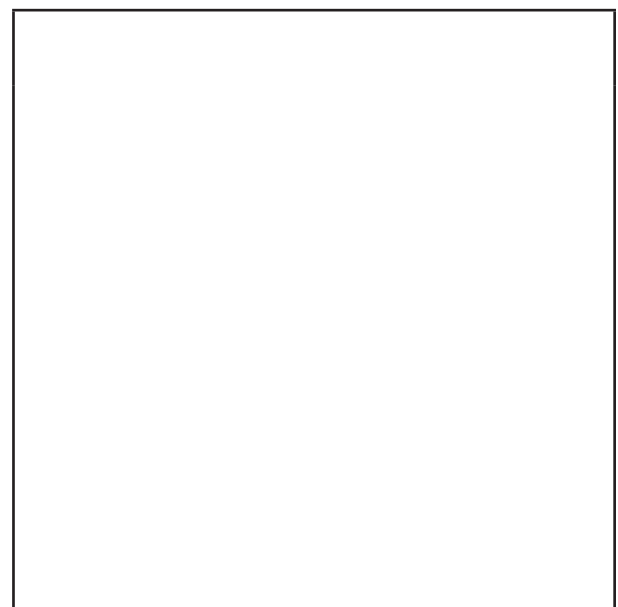
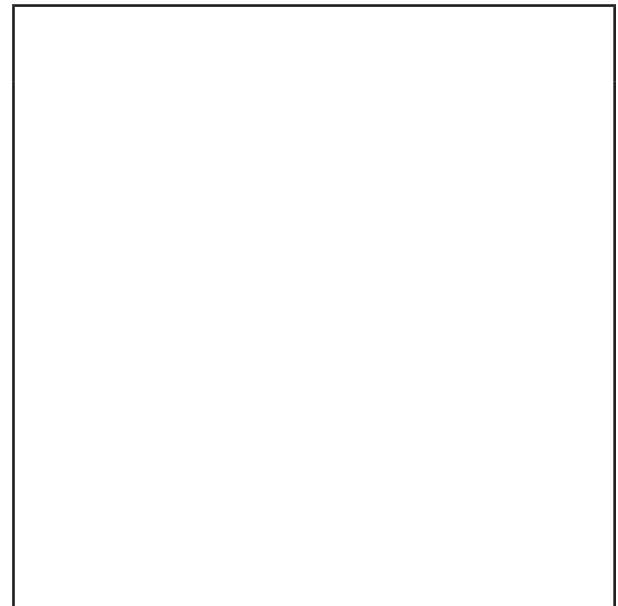
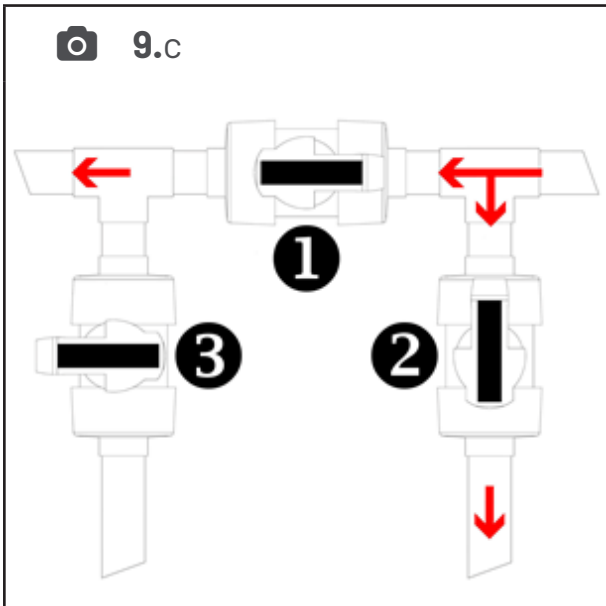
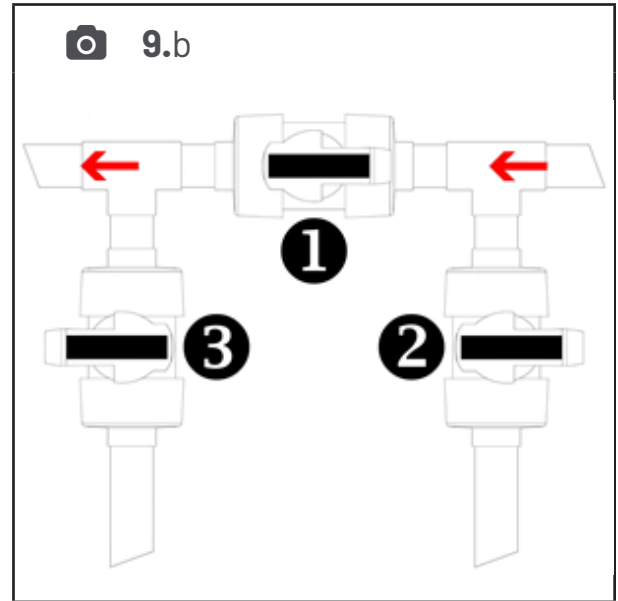
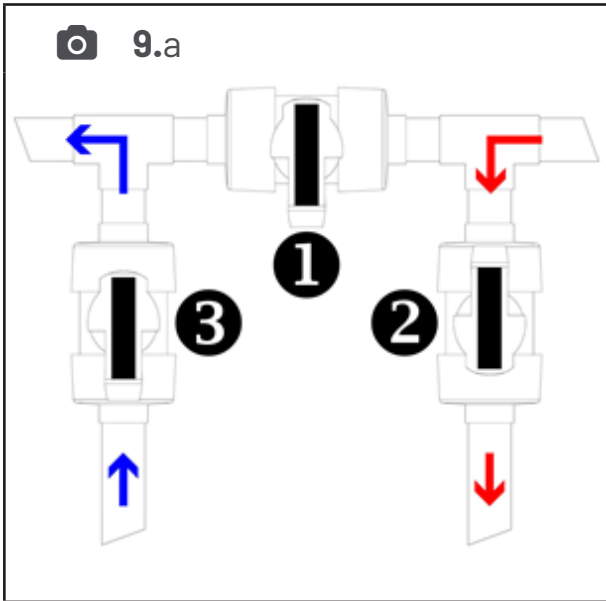


 8.b



 8.c







SAVE THESE INSTRUCTIONS !



PENTAIR INTERNATIONAL SaRL,
Av. de Sévelin 20, CH-1004 - LAUSANNE, Suisse
WWW.PENTAIR.COM

All indicated Pentair trademarks and logos are property of Pentair. Third party registered and unregistered trademarks and logos are the property of their respective owners.

© 2021 Pentair. All rights reserved.

INSTALLATION & OPERATING INSTRUCTIONS WATER SOFTENER

MKT-PP-MAX-CS-A