

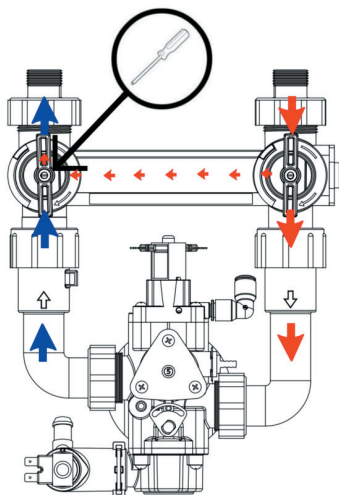
 4



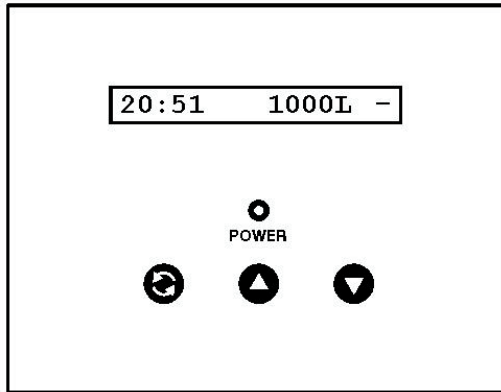
 5



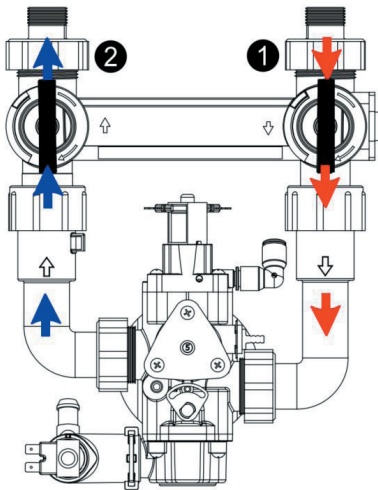
 6



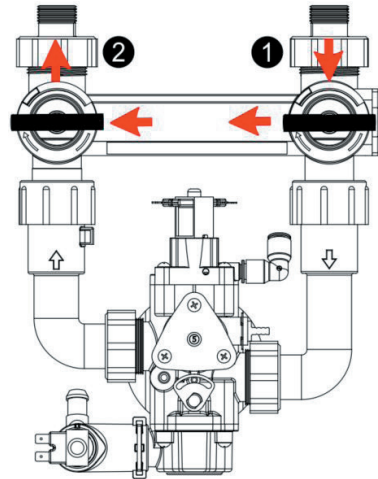
 7



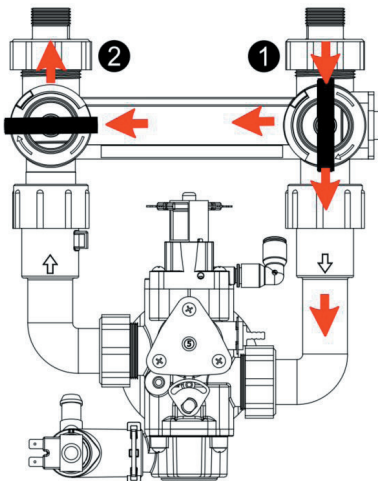
 8.a

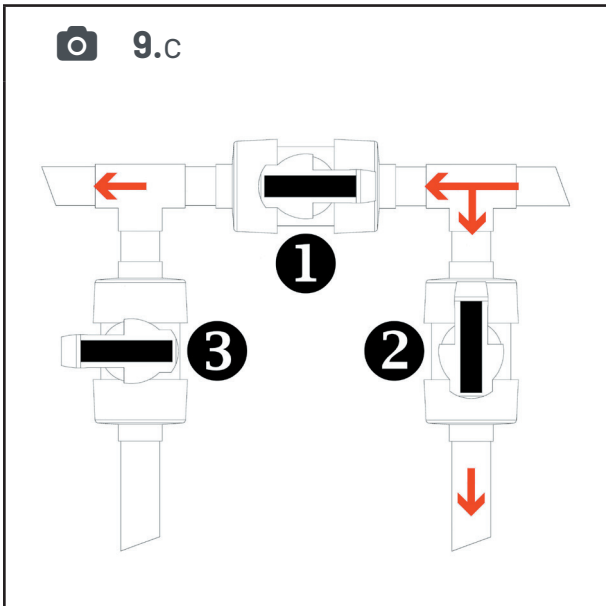
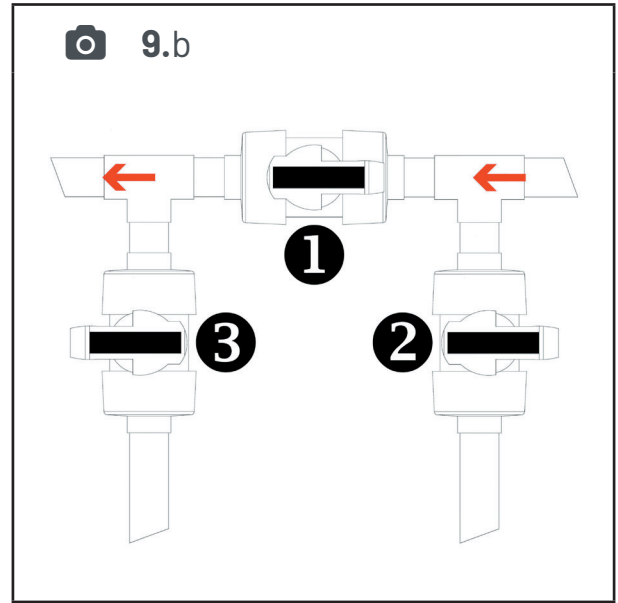
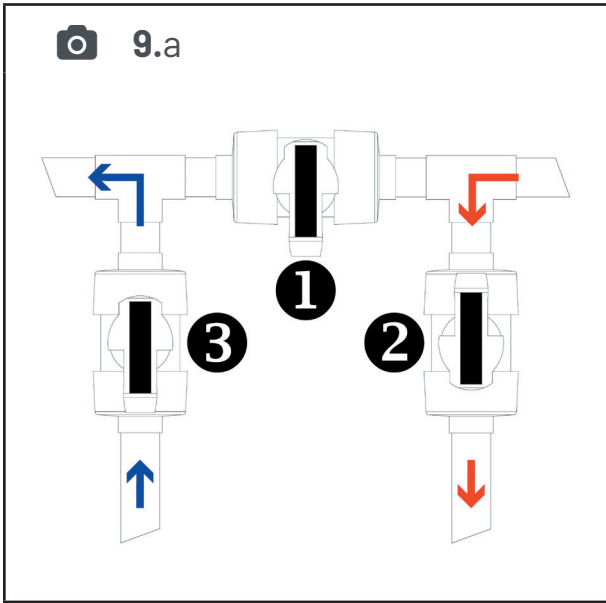


 8.b



 8.c







SAVE THESE INSTRUCTIONS !



PENTAIR INTERNATIONAL SaRL,
Av. de Sévelin 20, CH-1004 - LAUSANNE, Suisse
WWW.PENTAIR.COM

All indicated Pentair trademarks and logos are property of Pentair. Third party registered and unregistered trademarks and logos are the property of their respective owners.

© 2021 Pentair. All rights reserved.

INSTALLATION & OPERATING INSTRUCTIONS WATER SOFTENER

MKT-PP-SEN-CF-OM-A