

CLARIS N 2000

DELIVERS QUALITY WATER FOR VENDING,
COFFEE AND STEAM APPLICATIONS

Claris N 2000 Replacement Cartridge: 4339-45



Head sold separately

APPLICATIONS

- ◆ Vending, Coffee, Hot Beverage, Steam applications

FEATURES • BENEFITS

- ◆ Special focus on removing total hardness, stabilizing the water's Ph
- ◆ Very effective descaling capabilities combined with corrosion protection
- ◆ Provides pH-neutral protection against calcification and the formation of gypsum
- ◆ Integrated protection against growth of bacteria in the filter that can decrease product life
- ◆ Reduce heavy metals such as lead, mercury, cadmium, copper and iron
- ◆ 4-stage filtration process that includes:
 - Particle filter
 - Fine and microplastic filter
 - Activated carbon
 - Ion exchanger
- ◆ NSF Certified under NSF/ANSI Standard 42
- ◆ EU Food contact certified
- ◆ Easy replacement without turning off the water supply (auto shut-off function)*
- ◆ Bypass function with seven settings*

INSTALLATION TIPS

- ◆ The system can be operated freestanding, lying horizontally or mounted vertically.
- ◆ If mounting vertically to a wall, securely connect the mounting bracket to the wall using suitable screws.
- ◆ Water pressure at the filter system inlet must not exceed 116 psi (8 bar). A pressure reducer valve must be installed on the water supply side of the filter system if the inlet pressure exceeds 116 psi (8 bar).
- ◆ Shutoff valve must be installed upstream of the filter.
- ◆ Refer to Installation, Operation & Maintenance Manual for cartridge flushing and startup.

OPERATION TIPS

- ◆ Change Claris N Cartridge when its precalculated water volume has been reached or at least once per year.
- ◆ Change cartridge when capacity is reached.
- ◆ Always flush the filter cartridge at time of installation and cartridge change.
- ◆ Do not use hardness test strips to check for hardness reduction. Please use a titration kit to check for hardness reduction.

SIZING

- ◆ Service Flow Rate:
Maximum 3.7 Lpm (1 gpm)
- ◆ Rated Capacity:
5'380 L for hot beverages and vending
4'890 L for steamers

This capacity is based on total hardness at 10°dH (179 PPM) with bypass setting at 1 for hot beverages and vending and at 0 for steamers

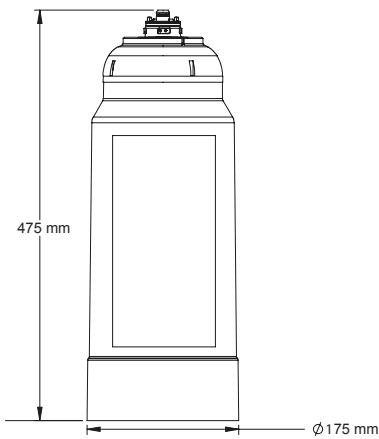
*Refers to the cartridge mounted on a Claris head. Head not included with this part number

CLARIS N 2000 FILTER CARTRIDGE

4339-45



Clariss N 2000 cartridge: 4339-45



SPECIFICATIONS

- ◆ **Service Flow Rate**
Maximum 3.7 Lpm (1 gpm)
- ◆ **Rated Capacity**
5'380 L for hot beverages and vending
4'890 L for steamers

This capacity is based on total hardness at 10°dH (179 PPM)
with bypass setting at 1 for hot beverages and vending and
at 0 for steamers
- ◆ **Pressure Requirements**
10 - 125 psi (0.7 - 8.6 bar), non-shock
- ◆ **Temperature**
4 - 30°C (39 -86 °F)
- ◆ **Overall Dimensions**
475 mm L x 175 mm D



Clariss™ is a trademark of Aquis, GmbH.

The contaminants or other substances removed or reduced by this drinking water system are not necessarily in your water. Do not use with water that is microbiologically unsafe or of unknown quality without adequate disinfection before or after the system.

Pentair trademarks and logos are owned by Pentair plc or its affiliates. For a detailed list of where Pentair trademarks are registered, please visit www.pentair.com/en/registrations.html. Third party registered and unregistered trademarks and logos are the property of their respective owners. Because we are continuously improving our products and services, Pentair reserves the right to change specifications without prior notice.

4339-45 ©2022 Pentair Filtration Solutions, LLC. All Rights Reserved.