

CLARIS ULTRA 2000 FILTER CARTRIDGE

ADJUSTABLE ION-SELECTIVE FILTER OFFERS TAILORED CARBONATE HARDNESS AND CORROSION PROTECTION LEVELS IN POTABLE WATER

CLARIS ULTRA 2000 FILTER CARTRIDGE:
4339-84



Head sold separately.

APPLICATIONS

- ◆ Coffee/Office Coffee Service (OCS)
- ◆ Espresso
- ◆ Brewed Iced Tea
- ◆ Hot Drink Vending

FEATURES • BENEFITS

- ◆ Unique water conditioning technology combines mineral adaptation, mineral stabilization and corrosion inhibition
- ◆ Features a 5-stage filtration process that includes:
 - Prefiltration
 - Carbonate hardness adjustment
 - Fine filtration
 - Highly efficient carbon block
 - Solid membrane filter
- ◆ Removes harmful contaminants and unpleasant odors and tastes
- ◆ Removes particles down to five (5) microns for highest equipment protection
- ◆ Operates in a vertical or horizontal position

INSTALLATION TIPS

- ◆ The system can be operated freestanding, lying horizontally or vertically.
- ◆ Water pressure at the filter system inlet must not exceed 8 bar (116 psi). A pressure reducer valve must be installed on the water supply side of the filter system if the inlet pressure exceeds 8 bar (116 psi).
- ◆ Shutoff valve must be installed upstream of the filter.
- ◆ Refer to Installation, Operation & Maintenance Manual for cartridge flushing and start-up.

OPERATION TIPS

- ◆ Change Claris Ultra Cartridge when its precalculated water volume has been reached or at least once per year.
- ◆ Change cartridge when capacity is reached.
- ◆ Always flush the filter cartridge at time of installation and cartridge change.
- ◆ Do not use hardness test strips to check for hardness reduction. Please use a titration kit to check for hardness reduction.

SIZING

- ◆ Service Flow Rate: 3.7 Lpm (1.0 gpm)
- ◆ Rated Capacity:
16,500 L (4,358 gallons) for Espresso
20,000 L (5,283 gallons) for Coffee/OCS*

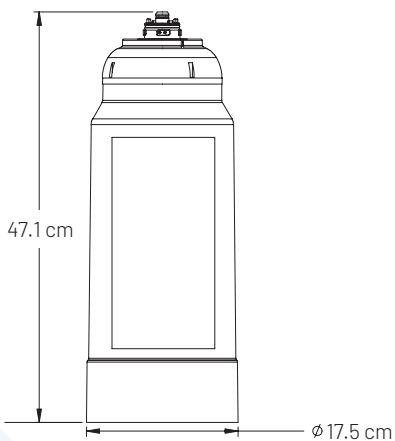
**This capacity is based on influent water hardness of 180 ppm with standard bypass settings.*

CLARIS ULTRA 2000 FILTER CARTRIDGE

4339-84



CLARIS ULTRA 2000 FILTER CARTRIDGE:
4339-84



SPECIFICATIONS

- ◆ **Service Flow Rate**
3.7 Lpm (1.0 gpm)
- ◆ **Rated Capacity**
16,500 L (4,358 gallons) for Espresso
20,000 L (5,283 gallons) for Coffee/OCS
- ◆ **Pressure Requirements**
2 - 8 bar (29 - 116 psi), non-shock
- ◆ **Temperature Limits**
4 - 30°C (39 - 86°F)
- ◆ **Overall Dimensions**
47.1 x 17.5 cm (18.56" H x 6.89" dia)
- ◆ **Electrical Connection**
None required

**This capacity is based on influent water hardness of 180 ppm with standard bypass settings.*

The contaminants or other substances removed or reduced by this drinking water system are not necessarily in your water. Do not use with water that is microbiologically unsafe or of unknown quality without adequate disinfection before or after the system.

Pentair trademarks and logos are owned by Pentair plc or its affiliates. For a detailed list of where Pentair trademarks are registered, please visit www.pentair.com/en/registrations.html. Third party registered and unregistered trademarks and logos are the property of their respective owners. Because we are continuously improving our products and services, Pentair reserves the right to change specifications without prior notice.

4339-84 ©2022 Pentair Filtration Solutions, LLC. All Rights Reserved.